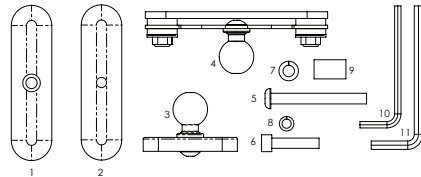


ADAPTIVTM MOTORCYCLE ACCESSORY MOUNT

HORIZONTAL CONTROL MOUNT INSTALLATION

ADAPTIVTM
TECHNOLOGIES

CONTENTS



Item No.	Name	Quantity
1	Link Left	1
2	Link Right	1
3	Horizontal Control Base	1
4	Mounting Plate	1
5	Base Screw	2
6	Positioning Screw	1
7	Base Lock Washer	2
8	Positioning Lock Washer	1
9	Spacer	2
10	3mm Hex Key	1
11	5/32" Hex Key	1

This mount is designed to work with motorcycles that have M5 vertical pinch bolts spaced 30mm apart on either the brake or clutch assembly. This includes many BMW and Ducati Motorcycles.



Warning: Installation of the mount should be performed by a qualified technician. Improper installation may interfere with the safety and proper operation of the product and/or vehicle.

1. Place the motorcycle on a center stand.
2. Using the *5/32" Hex Key*, remove the *Positioning Screw* and *Positioning Lock Washer* to disassemble the mount as shown in Figure 1.

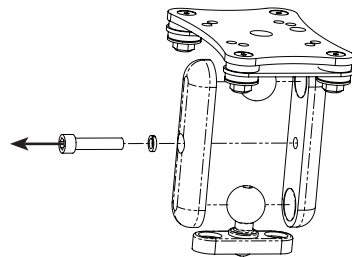


Figure 1

3. Remove the two factory-installed pinch bolts on the clutch or brake assembly. These screws will not be re-used.
4. Using the *3mm Hex Key*, assemble the *Base* to the Clutch or Brake Assembly with the *Base Screws*, *Base Washers*, and *Spacers* as shown in Figure 2.

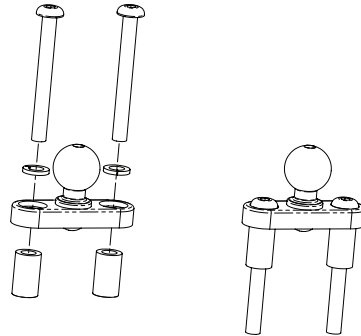


Figure 2

5. Using the $5/32"$ Hex Key, loosely reassemble the mount as shown in Figures 3a and 3b.

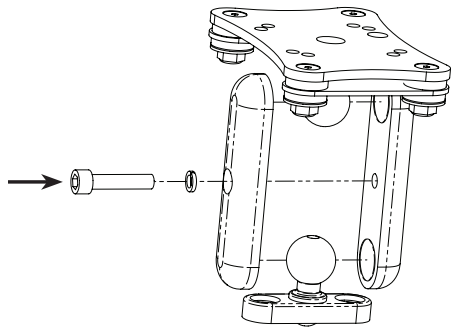


Figure 3a

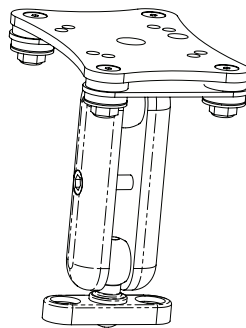
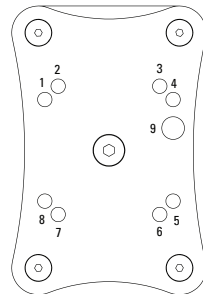


Figure 3b

6. Fasten the accessory device or cradle to the top of the *Mounting Plate* utilizing appropriate hardware. The eight "AMPS" pattern holes (1-8) will accommodate #8 or M4 screws. The larger hole (9) will accommodate a $1/4"$ or M6 screw. Alternatively, double sided adhesive tape or hook and loop fastener may be used.



Mounting Plate Holes

7. Adjust the mount to the desired position and tighten the *Positioning Screw* to lock the assembly in place.



Warning: Verify that the position of the mount and accessory will not interfere with proper operation of the vehicle



Warning: Make sure all screws and nuts are securely tightened before each ride so that the assembly will not move during use.

Adaptiv Technologies

1639 11th Street
Suite 156
Santa Monica, CA 90404

www.AdaptivTech.com

866-ADAPTIV
(866-232-7848)
646-722-0253